

NI PXIe-2790 Specifications

6 GHz Solid State Power Combiner and Switch

This document lists specifications for the NI PXIe-2790 solid state power combiner and switch. All specifications are subject to change without notice. Visit ni.com/manuals for the most current specifications.

Refer to the *NI Switches Help* for detailed topology information.



Caution To ensure the specified EMC performance, operate this product only with shielded cables and accessories.



Caution Refer to the *Read Me First: Safety and Electromagnetic Compatibility* document at ni.com/manuals for important safety and compliance information.



Caution Using the NI PXIe-2790 in a manner not described in this document may impair the protection the NI PXIe-2790 provides.

About These Specifications

Specifications characterize the warranted performance of the instrument under the following operating conditions:

- Chassis is powered on
- Calibration adjustment cycle maintained
- 50 Ω termination connected to unused I/O front panel connectors
- Current product revision used

Specifications describe the warranted, traceable product performance over ambient temperature ranges of 0 °C to 55 °C unless otherwise noted.

Typical values describe useful product performance beyond specifications that are not covered by warranty and do not include guardbands for measurement uncertainty or drift. Typical values may not be verified on all units shipped from the factory. Unless otherwise noted, typical values cover the expected performance of units over ambient temperature ranges of 23 \pm 5 °C with a 90% confidence interval.

Nominal values (or supplemental information) describe additional information about the product that may be useful, including expected performance that is not covered under *Typical Specifications*. Nominal values are not covered by warranty.

Input Characteristics

All input characteristics are DC, AC_{rms}, or a combination unless otherwise specified.

Minimum input frequency.....10 MHz

Maximum input frequency.....6 GHz

Characteristic impedance (Z_0).....50 Ω , nominal

Coupling.....AC

Maximum safe DC input voltage..... \pm 5 V

Maximum Safe Continuous RF Power

Chassis Power ON Port:

COM A, COM B, CH 0A, CH 0B....+20 dBm

CH 1A, CH 1B.....+20 dBm

SUM AB.....+30 dBm

Chassis Power OFF All Ports.....+20 dBm

RF Performance Characteristics

Values in parentheses are typical.

Insertion loss, channel path

COM A, COM B to SUM AB

\leq 850 MHz.....<13.1 dB (<11.8 dB)

\leq 1850 MHz.....<13.5 dB (<12.2 dB)

\leq 6 GHz.....<14.4 dB (<13.3 dB)

COM A to CH 1A, COM B to CH 1B

\leq 850 MHz.....<2.3 dB (<1.2 dB)

\leq 1850 MHz.....<2.8 dB (<1.6 dB)

\leq 6 GHz.....<3.8 dB (<2.8 dB)

COM A to CH 0A, COM B to CH 0B	
≤850 MHz.....	<2.2 dB (<1.1 dB)
≤1850 MHz.....	<2.6 dB (<1.5 dB)
≤6 GHz.....	<3.4 dB (<2.3 dB)

COM A to COM B	
≤850 MHz.....	<3.3 dB (<2.0 dB)
≤1850 MHz.....	<4.0 dB (<2.6 dB)
≤6 GHz.....	<5.4 dB (<4.4 dB)

Insertion loss
thermal coefficient, typical..... $\alpha = 240 \text{ ppm}/^\circ\text{C}$

Use the following equation to calculate the insertion loss at a given temperature:

$$IL_T = IL_{T_0} (1 + \alpha(T - T_0))$$

where IL represents insertion loss in dB

T represents the temperature at which the property is being measured in $^\circ\text{C}$

T_0 represents the reference temperature in $^\circ\text{C}$

α represents insertion loss temperature coefficient in $\text{ppm}/^\circ\text{C}$

Voltage standing wave ratio (VSWR), port

SUM AB	
≤850 MHz.....	<1.3 (<1.1)
≤1850 MHz.....	<1.4 (<1.1)
≤4 GHz.....	<1.5 (<1.2)
≤6 GHz.....	<1.7 (<1.2)

CH 0A, CH 0B	
≤850 MHz.....	<1.4 (<1.2)
≤1850 MHz.....	<1.5 (<1.2)
≤4 GHz.....	<1.9 (<1.4)
≤6 GHz.....	<1.9 (<1.4)

CH 1A, CH 1B	
≤850 MHz.....	<1.4 (<1.2)
≤1850 MHz.....	<1.5 (<1.2)
≤4 GHz.....	<1.5 (<1.3)
≤6 GHz.....	<2.2 (<1.6)

COM A to COM B	
≤850 MHz.....	<1.4 (<1.3)
≤1850 MHz.....	<1.7 (<1.3)
≤4 GHz.....	<1.7 (<1.3)
≤6 GHz.....	<1.9 (<1.6)

Isolation

COM A to COM B	
≤850 MHz.....	>19.6 dB (>20.6 dB)
≤1850 MHz.....	>19.6 dB (>20.6 dB)
≤4 GHz.....	>19.6 dB (>20.6 dB)
≤6 GHz.....	>19.6 dB (>20.6 dB)

CH 1A to SUM AB, CH 1B to SUM AB	
≤850 MHz.....	>77.0 dB (>82.0 dB)
≤1850 MHz.....	>68.0 dB (>70.0 dB)
≤4 GHz.....	>55.7 dB (>57.4 dB)
≤6 GHz.....	>48.1 dB (>51.0 dB)

CH 1A to CH 1B	
≤850 MHz.....	>79.0 dB (>100.0 dB)
≤1850 MHz.....	>79.0 dB (>97.0 dB)
≤4 GHz.....	>70.9 dB (>74.7 dB)
≤6 GHz.....	>59.3 dB (>62.0 dB)

Input 1 dB Compression

Minimum.....	>31 dBm
Typical.....	>33 dBm

Refer to Figures 1, 2, and 3 for typical insertion loss, typical VSWR, and typical isolation, respectively.

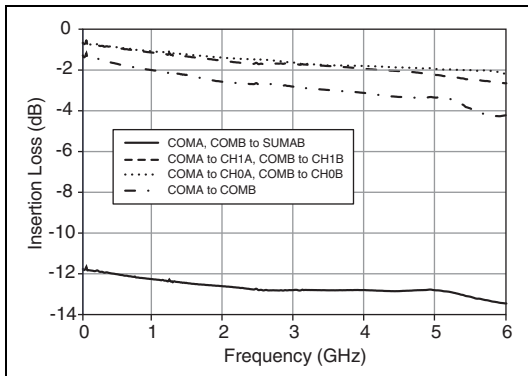


Figure 1. Typical Insertion Loss

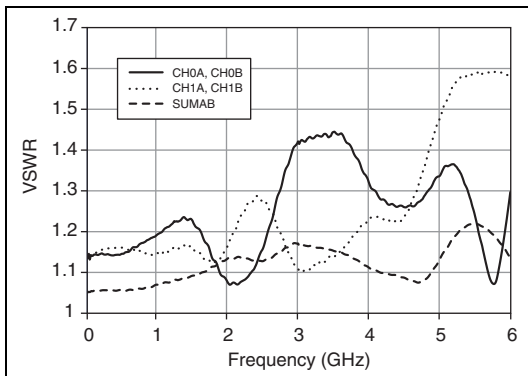


Figure 2. Typical VSWR (CH0x, CH1x, SUMAB)

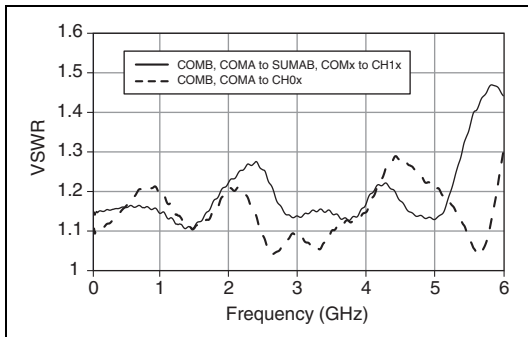


Figure 3. Typical VSWR (COMA, COMB)

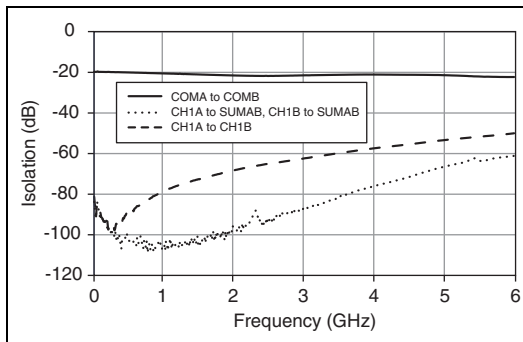


Figure 4. Typical Isolation

Linearity

Third-order intermodulation distortion (Input IP3 (IIP3))

IP3 (input), typical¹+55 dBm



Note Measurements performed with two 10 dBm input tones = 1 MHz apart. This specification is based on both experimental and calculated data.

Dynamic Characteristics

Maximum switch operate time45 μ s



Note Switch operate time is defined as the time from TRIG IN falling to 10% to when the output reaches 90% of final value.



Note Certain applications may require additional time for proper settling. For information about including additional settling time, refer to the *NI Switches Help*.

¹ Input is defined as the port with the incident signal.

Trigger Characteristics

Input trigger

SourcesPXI trigger lines 0–7
 Minimum pulse width150 ns



Note The NI PXIe-2790 can recognize trigger pulse widths less than 150 ns by disabling digital filtering. For information about disabling digital filtering, refer to the *NI Switches Help*.

Output trigger

DestinationsPXI trigger lines 0–7
 Pulse widthProgrammable
 (1 μ s to 62 μ s)

Physical Characteristics

Switch typeFET
 Front panel connectors7 SMA jacks, female
 (I/O)
 PXIe power requirement0.9 W at 3.3 V,
 0.6 W at 12 V
 Dimensions (L \times W \times H)3U, one slot,
 PXI/cPCI module
 21.6 \times 2.0 \times 13.0 cm
 (8.5 \times 0.8 \times 5.1 in.)
 Weight394 g (13.9 oz)

Environment

Operating temperature0 °C to 55 °C
 Storage temperature–20 °C to 70 °C
 Relative humidity5% to 85%,
 noncondensing
 Pollution Degree2
 Maximum altitude2,000 m
 Indoor use only.

Shock and Vibration

Operational Shock 30 g peak, half-sine,
 11 ms pulse
 (Tested in accordance
 with IEC 60068-2-27.
 Test profile developed in
 accordance with
 MIL-PRF-28800F.)

Random Vibration

Operating 5 to 500 Hz, 0.3 g_{rms}
 Nonoperating 5 to 500 Hz, 2.4 g_{rms}
 (Tested in accordance
 with IEC 60068-2-64.
 Nonoperating test profile
 exceeds the requirements
 of MIL-PRF-28800F,
 Class 3.)

Accessories

Visit ni.com for more information about the following accessories.

Table 1. NI Accessories for the NI PXIe-2790

Accessory	Length	Part Number
SMA 100, SMA male to SMA male flexible cable	0.15 m	763443-01
	0.45 m	763444-01
SMA 50 Ohm termination plug	—	778353-01
RF torque screwdriver and SMA driver bit	—	780895-01
RF SMA driver bit only	—	780894-01

Diagrams

Figure 4 shows the NI PXIe-2790 hardware diagram.

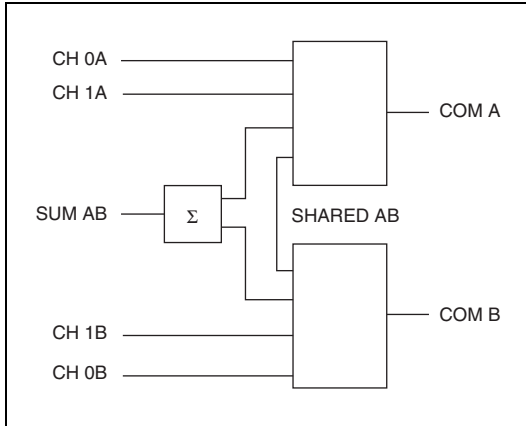


Figure 5. NI PXIe-2790 Hardware Diagram

Figure 6 shows the NI PXIe-2790 front panel connector.

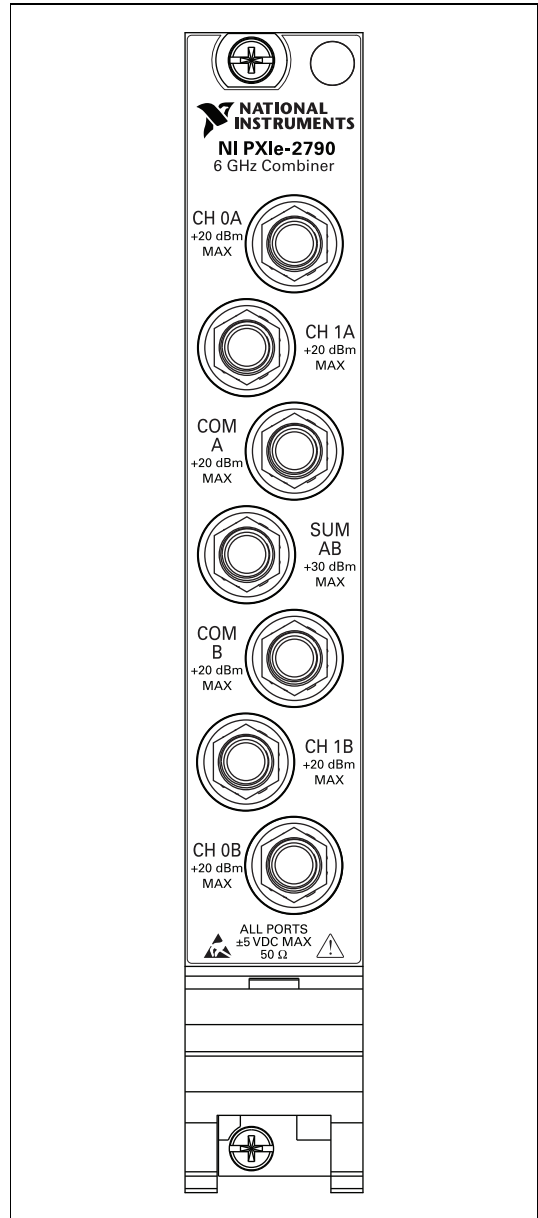


Figure 6. NI PXIe-2790 Front Panel Connector



Note For topology-specific connection information, refer to your device in the *NI Switches Help*.

Compliance and Certifications

Safety

This product meets the requirements of the following standards of safety for electrical equipment for measurement, control, and laboratory use:

- IEC 61010-1, EN 61010-1
- UL 61010-1, CSA 61010-1



Note For UL and other safety certifications, refer to the product label or the *Online Product Certification* section.

Electromagnetic Compatibility

This product meets the requirements of the following EMC standards for electrical equipment for measurement, control, and laboratory use:

- EN 61326-1 (IEC 61326-1): Class A emissions; Basic immunity
- EN 55011 (CISPR 11): Group 1, Class A emissions
- AS/NZS CISPR 11: Group 1, Class A emissions
- FCC 47 CFR Part 15B: Class A emissions
- ICES-001: Class A emissions



Note In the United States (per FCC 47 CFR), Class A equipment is intended for use in commercial, light-industrial, and heavy-industrial locations. In Europe, Canada, Australia and New Zealand (per CISPR 11) Class A equipment is intended for use only in heavy-industrial locations.



Note Group 1 equipment (per CISPR 11) is any industrial, scientific, or medical equipment that does not intentionally generate radio frequency energy for the treatment of material or inspection/analysis purposes.



Note For EMC declarations and certifications, refer to the *Online Product Certification* section.

CE Compliance

This product meets the essential requirements of applicable European Directives as follows:

- 2006/95/EC; Low-Voltage Directive (safety)
- 2004/108/EC; Electromagnetic Compatibility Directive (EMC)

Online Product Certification

To obtain product certifications and the Declaration of Conformity (DoC) for this product, visit ni.com/certification, search by model number or product line, and click the appropriate link in the Certification column.

Environmental Management

NI is committed to designing and manufacturing products in an environmentally responsible manner. NI recognizes that eliminating certain hazardous substances from our products is beneficial to the environment and to NI customers.

For additional environmental information, refer to the *NI and the Environment* Web page at ni.com/environment. This page contains the environmental regulations and directives with which NI complies, as well as other environmental information not included in this document.

Waste Electrical and Electronic Equipment (WEEE)



EU Customers At the end of the product life cycle, all products *must* be sent to a WEEE recycling center. For more information about WEEE recycling centers, National Instruments WEEE initiatives, and compliance with WEEE Directive 2002/96/EC on Waste Electrical and Electronic Equipment, visit ni.com/environment/weee.

电子信息产品污染控制管理办法（中国 RoHS）



中国客户 National Instruments 符合中国电子信息产品中限制使用某些有害物质指令 (RoHS)。关于 National Instruments 中国 RoHS 合规性信息, 请登录 ni.com/environment/rohs_china。(For information about China RoHS compliance, go to ni.com/environment/rohs_china.)

LabVIEW, National Instruments, NI, ni.com, the National Instruments corporate logo, and the Eagle logo are trademarks of National Instruments Corporation. Refer to the *Trademark Information* at ni.com/trademarks for other National Instruments trademarks. Other product and company names mentioned herein are trademarks or trade names of their respective companies. For patents covering National Instruments products/technology, refer to the appropriate location: **Help»Patents** in your software, the `patents.txt` file on your media, or the *National Instruments Patent Notice* at ni.com/patents. You can find information about end-user license agreements (EULAs) and third-party legal notices in the NI-SWITCH Readme. Refer to the *Export Compliance Information* at ni.com/legal/export-compliance for the National Instruments global trade compliance policy and how to obtain relevant HTS codes, ECCNs, and other import/export data.